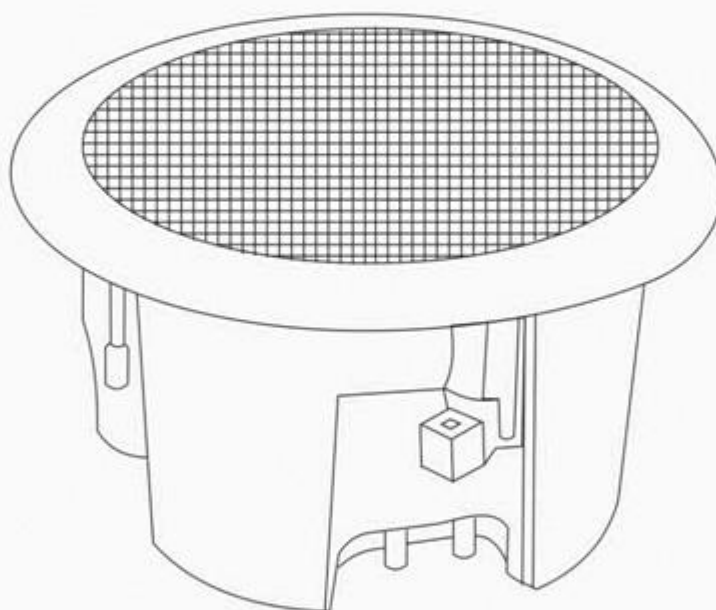




# XT-20P

## IP CEILING SPEAKER

User Manual



# Contents

<b>Summary .....</b>	<b>3</b>
Safety Precaution .....	3
Product Introduction.....	4
Interface Description .....	4
<b>Introduction.....</b>	<b>5</b>
Packing List .....	5
Wiring .....	5
<b>User-define Terminal Parameters.....</b>	<b>6</b>
Login Webpage.....	6
Network Parameters .....	7
Server Parameters.....	8
SIP Parameters .....	9
Audio Parameters .....	10
Password Settings .....	11
Language Settings.....	11
Firmware Upgrade .....	12
Reset to Defaults .....	12
Reboot the Device .....	13
<b>Fault Exclude .....</b>	<b>14</b>

## Summary

### Safety Precaution

- Read the safety precaution carefully before installing or using.
- Please abide by the warning and the relevant safety tips. Please put this manual in convenient place for future reference.

### Warning



This symbol means there are potential safe troubles, it may cause death or serious injury with incorrect operation.



This symbol used to remind the user that this device attached the important operation and maintenance instructions.

### Setting and Installing Device

- 1) Avoid wet by water.

Do not put the machine to be exposed to rain water or other liquid stained environment, otherwise it may lead to fire or get an electric shock.

- 2) Do not use the other power voltage.

Using the device marked voltage to connect it.

It may lead to fire or electric shock if using the higher voltage.

- 3) Do not scratch the power cord.

Don't scratch, cut or twist the power cord.

Please keep the power line far away from the heated object and do not put heavy things on it, otherwise it may lead to fires or electric shock.

### Using Machine

- 1) In case of the anomalies appears

Please shut off the power supply immediately when finding the following abnormal phenomena within using, please contact with supplier. It may cause fires or electric shock if it's still using it.

- When the device with smoking or strange flavor.
- The device internal is invaded by water or other things.
- Device fall off or device shell is damaged.
- The power cord is damaged (wire core is exposed or broken etc).
- Device fault (it can't connect network, no sound etc.).

- 2) Do not open the device internal or modify the device

Don't make other things invaded to the device internal.

Don't make the metal items or inflammable objects inserting to device internal, otherwise it will cause fires or electric shock.

- 3) Do not touch when lightning

To avoid electric shock, please do not touch the device and the plug while lightning.

- 4) Do not put the liquid container or metal object on the device

If the container is fall down and make the liquid permeate into the device, it will cause fire or electric shock.

- 5) Do not open the device internal or modify the device

The device internal contains high voltage parts, once open the cover or modify the device, it may cause fires or cause shock.

All about device maintenance and modification should be operated by professional personnel.

- 6) The notice for maintenance or long time without using

Please shut down the power and pull out the power line while maintenance or the device won't be used for 10 days or more. It may cause electric shock or fires if do not make it.

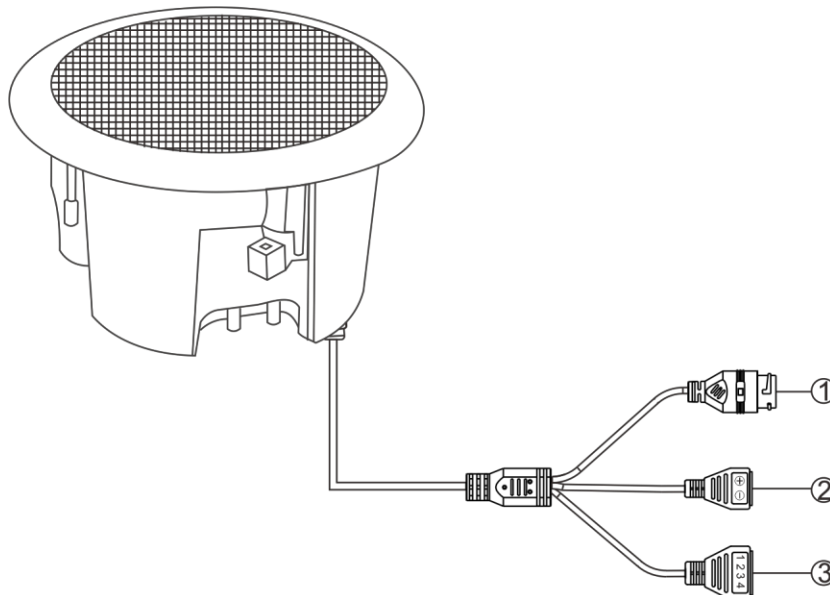
## Product Introduction

XonTel XT-20P IP network ceiling speaker embedded IP Audio Digital Network audio technology with independent intellectual property rights. It can accept broadcasting initiated by other terminals and servers and support function settings through browser. With Circuit fault detection function, it can detect the working status of the horn and display on the server software.



- Line input: ceiling speaker can be connected to other equipment audio signals as a broadcast sound source.
- Line output: it support to output the audio signals.
- Circuit detection: With Circuit fault detection function, it can detect the working status of the speaker.
- Receive broadcast: it can receive a broadcast from a server or other terminals.
- Timing broadcast: it will upload all the audio source need to be daily broadcast on server, and make broadcasting schedule.  
Ceiling speakers can be configured by the server's scheduled task to achieve automatic broadcast.
- System settings through browser: the user can set the network parameters, audio parameters, and change the password etc. to realize the personalization.
- Support POE power supply.

## Interface Description



①Network interface: connect POE switcher with cables.(there is needn't to connect the power as the device support POE power supply).

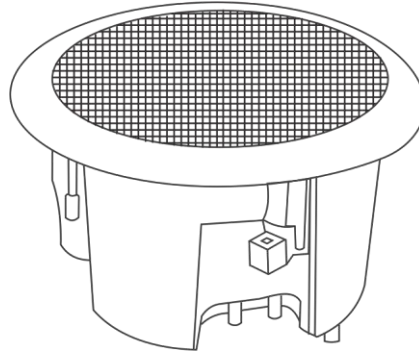
**Note:** ②③or reserved interface, not yet enabled.

## Introduction

### Packing List

IP ceiling speaker is including the following fittings, please check the fittings before the installation, if any missing, please contact the distributor.

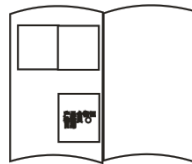
- (1) IP ceiling speaker 1 pcs



- (2) Waterproof connector 1 pcs



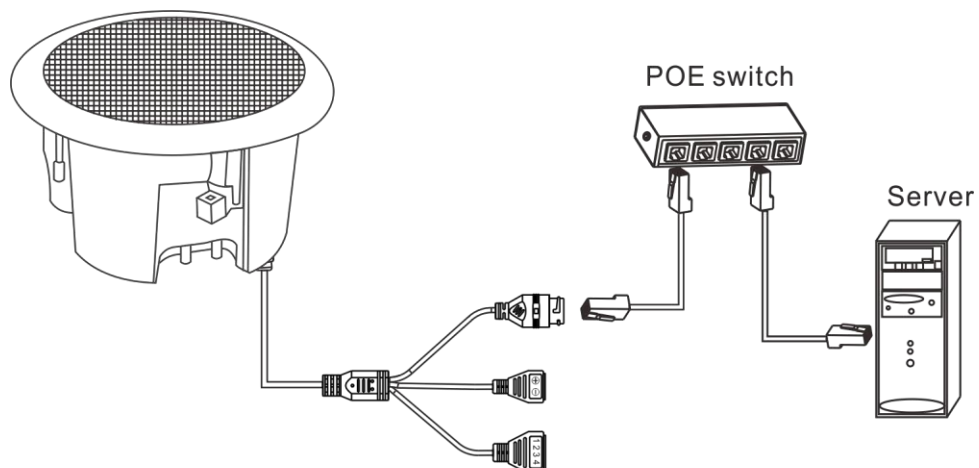
- (3) certification 1 pcs



- (4) Installation manual 1pcs



### Wiring



## Basic Network Settings

Enter into the webpage of XonTel XT-20P IP ceiling speaker, and then modify all the parameters according to the live environment. After finishing, click “save”.

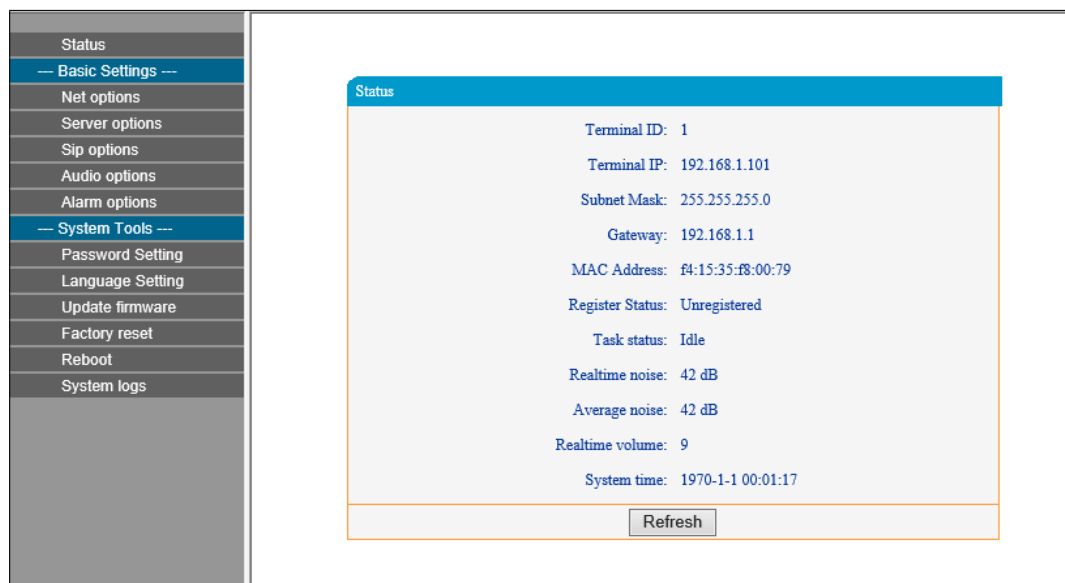
## User-define Terminal Parameters

### Login Webpage

- 1) Please input the IP address of XonTel XT-20P IP ceiling speaker to the address column of the browser (the factory default IP address is **192.168.1.101**, it will automatically play the IP address when the press the terminal key without the cable inserted), then enter.
- (2) Enter the user name and password in the web page (the default user name and password is **admin**)



- (3) Click OK to enter into XonTel XT-20P IP ceiling speaker web page.



### Network Parameters

Status	<div style="border: 1px solid #ccc; padding: 10px;"> <div style="background-color: #0070c0; color: white; padding: 2px 5px; font-weight: bold;">Net options</div> <div style="padding: 10px;"> <p>Terminal IP: <input type="text" value="192.168.1.101"/></p> <p>Subnet Mask: <input type="text" value="255.255.255.0"/></p> <p>Gateway: <input type="text" value="192.168.1.1"/></p> <p>DNS1(Optional): <input type="text"/></p> <p>DNS2(Optional): <input type="text"/></p> </div> <div style="text-align: right; padding: 5px;"> <input type="button" value="Save"/> </div> </div>
--- Basic Settings ---	
Net options	
Server options	
Sip options	
Audio options	
Alarm options	
--- System Tools ---	
Password Setting	
Language Setting	
Update firmware	
Factory reset	
Reboot	
System logs	

The parameters specification as following:

Terminal IP	IP address of XT-20P IP ceiling speaker, default as <b>192.168.1.101</b>
Subnet mask	Please set Subnet mask ( default as <b>255.255.255.0</b> )
Gateway	The network gateway of XT-20P IP ceiling speaker (default as <b>192.168.1.1</b> )
DNS1	The IP of preferred DNS server.
DNS2	The IP of alternate DNS server.

## Server Parameters

Status	
--- Basic Settings ---	
Net options	
Server options	
Sip options	
Audio options	
Alarm options	
--- System Tools ---	
Password Setting	
Language Setting	
Update firmware	
Factory reset	
Reboot	
System logs	

Server options

Terminal ID:

Local Port:

Primary Server:  :

Secondary Server:  :

Version Server:  :

FTP Server:  :

FTP Username:

FTP Password:

Login Interval(s):

The parameters specification as following:

Terminal ID	The unique No. that to identify the IP ceiling speaker, and cannot repeat with other main master. The default is 1.
Terminal Port	The device port number default to be 2046, please don't modify if no exceptional circumstance.
Primary server	The IP address of IP broadcast server, the default port is <b>2048</b> .
Secondary server	When the preferred server cannot be connected, you can choose the alternate server. After the preferred server can be connected, you can re-login the preferred server.
Login interval	Setting the interval time which is ceiling speaker to login the server.



### SIP Parameters

Status	
--- Basic Settings ---	
Net options	
Server options	
Sip options	
Audio options	
Alarm options	
--- System Tools ---	
Password Setting	
Language Setting	
Update firmware	
Factory reset	
Reboot	
System logs	

The parameters specification as following:

SIP server	The SIP server IP address of terminal, please fill with correct with SIP server IP address or domain name. The port cannot be modified if no exceptional circumstances. ( default is <b>5060</b> )
Account	The SIP account of terminal, which is cannot repeat with other terminal.
Password	The SIP server password of the terminal, which is cannot repeat with other terminal.
Local port	Configure the local port according to the actual situation.
Audio port	Configure the audio port according to the actual situation.
Multicast	There are multiple servers in the LAN, it must fill out different address and the port number to prevent not be disturbed when different server initiate broadcasting.

## Audio Parameters

The parameters specification as following:

Broadcast output volume	The total volume of the device broadcasting audio output, the volume is <b>0-15</b> .
Buffer time	The buffer time of broadcasting (that is to make sure the broadcasting output quality under the bad network environment).
Audio check	Enable the Audio check function, the server will pop up the window to show the failures when the timing noise is less than or equal to the arrange noise. Disabled, this function cannot be used.
Dynamic volume control	Enabled, the device will adjust the broadcasting output volume according to the noise. Disabled, this function cannot be used and the timing volume will be showed on the "operation status" interface of webpage.
Noise detect adjust(dB)	The number of noise monitor calibration (default is <b>16dB</b> ). The bigger the number is, the bigger the calibrated timing noise is. Note: the noise monitor calibration = with the calibration 0, the noise dB monitored by decibel meter – the average noise dB detected by device.
Noise Reference (dB)	Under the normal environment, the default of average noise is <b>60 dB</b> .
Noise detect interval(s)	Set the average noise detection interval, default is 30s. The average noise changes with the setting time.

## Password Settings

The account and password to log in the webpage can be changed in WEB management parameters.

Status
--- Basic Settings ---
Net options
Server options
Sip options
Audio options
Alarm options
--- System Tools ---
<b>Password Setting</b>
Language Setting
Update firmware
Factory reset
Reboot
System logs

Password Setting

Original username:

Original password:

New username:

New password:

Password Confirm:

### How to change the web login account and password?

- 1 .Click the password setting in web page.
2. Input the old account and old password.
3. Input the new account and new pass word.
4. Input the new password again for confirmation
- 5.Click save.

The new account and new password will be effective after reboot.

## Language Settings

The webpage language can switch between Chinese and English.

Status
--- Basic Settings ---
Net options
Server options
Sip options
Audio options
Alarm options
--- System Tools ---
Password Setting
<b>Language Setting</b>
Update firmware
Factory reset
Reboot
System logs

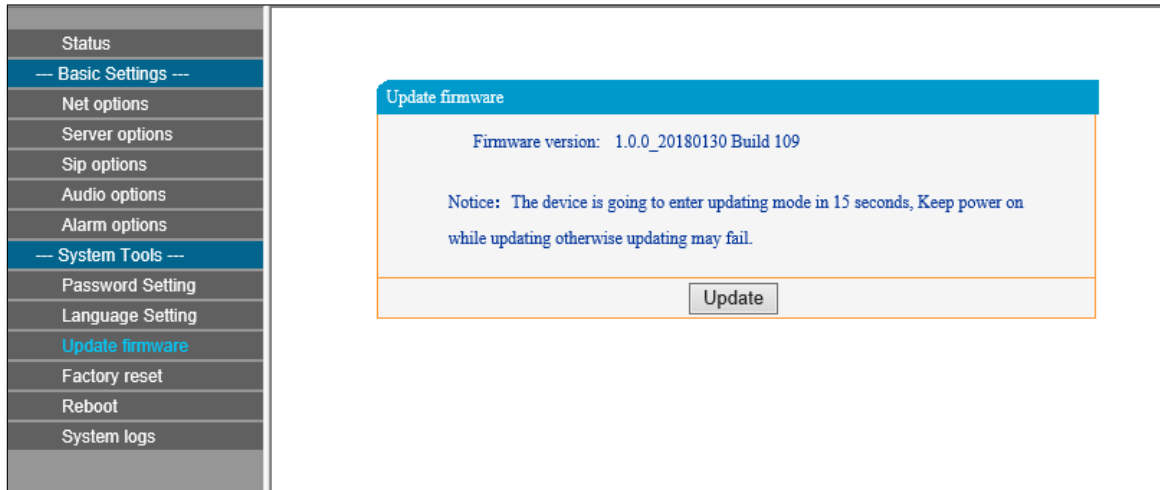
Language Setting

Language:

## Firmware Upgrade

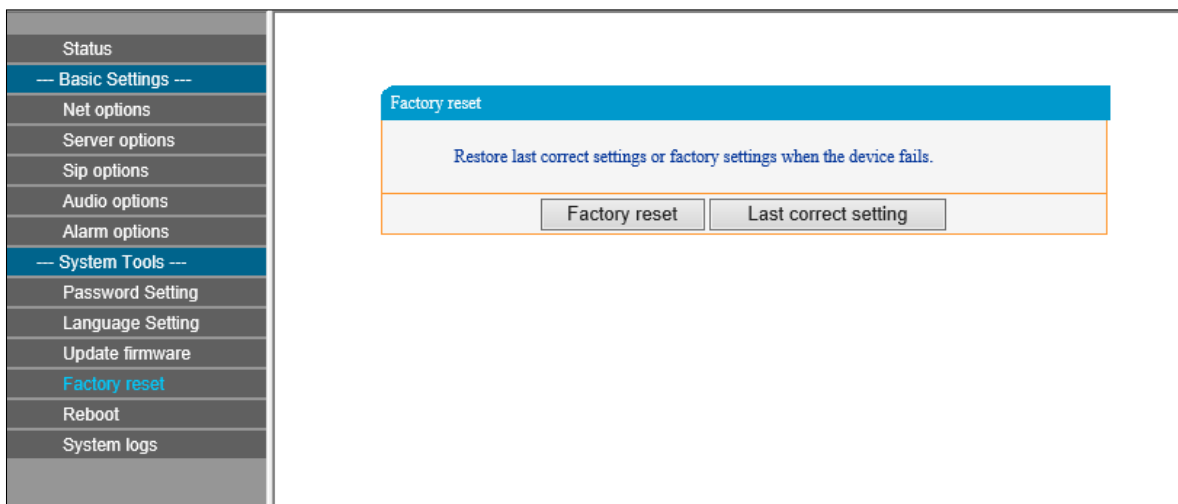
Enter the firmware upgrade mode after 15 seconds to click “Upgrade”, then click “Browser” to choose the upgrade file by manufacturers, and click “Upgrade”.

**Note: Do not power off during the upgrade process, or it may cause the upgrade to fail, and the device fails.**



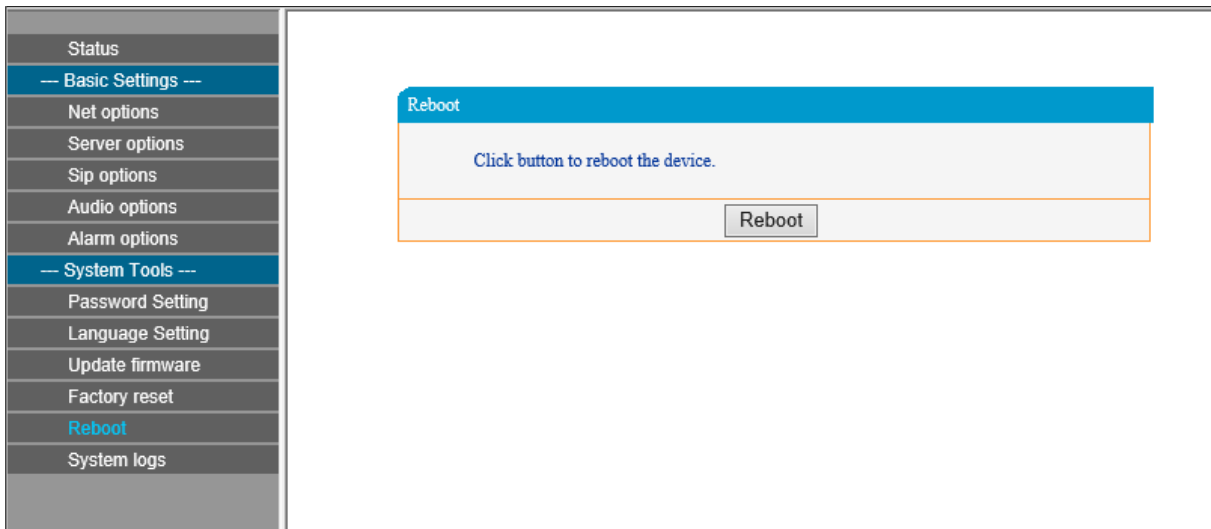
## Reset to Defaults

Reset to defaults: all parameters need to be reset to defaults.



## Reboot the Device

Users can click the “**Reboot**” to reboot the XT-20P ceiling speakers.



## Fault Exclude

### Why the terminal cannot login the server?

- 1).Check the software server and the main controller is normal opened or not. It`s required to close all firewall before open the software server (including system built-in firewall and other antivirus software firewall) .
- 2).Check the network connection is normal or not. After the terminal powered on, the network port green light is norm on, meantime the orange light will be short and fast flash, it means the network cable hard-connected normal. If the network port green light is not on, it means the network hard-connected problem, please check the terminal network cable and switcher whether they work normal, damaged and disconnect or not etc.
- 3).Check the terminal IP setting. Please check the terminal ID, sever IP, local IP, gateway IP ...etc parameters.

### Why it appears "terminal network services (UDP) start fail" warning within the process of start server software?

Appearing this warning information, it`s usually the local network connection has been disconnected, please connect the local network cable well and exit the software, then restart it.

### Why web show abnormal?

Please clear the caches or change the browser.